

F&B / Room service / In-room dining

Lagoon

Aluminium compact room service table



Standard equipment

- Anodised aluminium frame
- Lifting wooden surface with foldable sides (Ø 1m)
- Bases are nestable for space-saving storage
- 4 swivelling wheels Ø125mm with non-marking thermoplastic layer of which 2 with brake
- 4 swivelling corner pads for protection
- Material delivered flat packed ready to assemble

Technical info

Net weight: 22.8 kg

LAGOON

Options



Solar hotbox with rails (stainless)



Solar hotbox with rails (black)



Fleece protection

LAGOON

Finishes

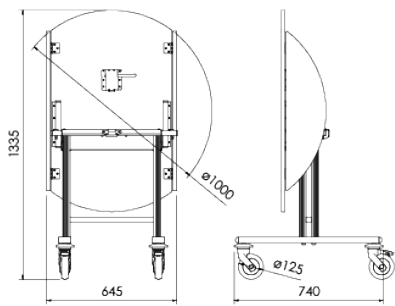


HPL / ABS



Combi

Dimensions



LAGOON

Dimensions

Ø	Height	Type	Wheels Ø
1000 mm	750 mm	swivelling	125 mm

Reference

17030100